

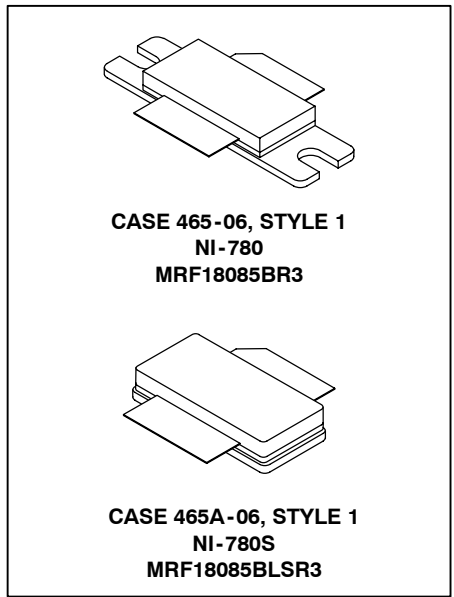
The RF MOSFET Line
RF Power Field Effect Transistors
N-Channel Enhancement-Mode Lateral MOSFETs

MRF18085BR3
MRF18085BLSR3

Designed for GSM and GSM EDGE base station applications with frequencies from 1.9 to 2.0 GHz. Suitable for TDMA, CDMA, and multicarrier amplifier applications.

- GSM and GSM EDGE Performance, Full Frequency Band (1930 - 1990 MHz)
 Power Gain - 12.5 dB (Typ) @ 85 Watts CW
 Efficiency - 50% (Typ) @ 85 Watts CW
- Internally Matched, Controlled Q, for Ease of Use
- High Gain, High Efficiency, and High Linearity
- Integrated ESD Protection
- Designed for Maximum Gain and Insertion Phase Flatness
- Capable of Handling 5:1 VSWR, @ 26 Vdc, @ P1dB Output Power, @ f = 1930 MHz
- Excellent Thermal Stability
- Characterized with Series Equivalent Large-Signal Impedance Parameters
- Available with Low Gold Plating Thickness on Leads. L Suffix Indicates 40μ" Nominal.
- In Tape and Reel. R3 Suffix = 250 Units per 56 mm, 13 inch Reel.

GSM/GSM EDGE
1.9 - 1.99 GHz, 85 W, 26 V
LATERAL N-CHANNEL
RF POWER MOSFETs



MAXIMUM RATINGS

Rating	Symbol	Value	Unit
Drain-Source Voltage	V _{DSS}	65	Vdc
Gate-Source Voltage	V _{GS}	-0.5, +15	Vdc
Total Device Dissipation @ T _C = 25°C Derate above 25°C	P _D	273 1.56	Watts W/°C
Storage Temperature Range	T _{stg}	- 65 to +150	°C
Operating Junction Temperature	T _J	200	°C

THERMAL CHARACTERISTICS

Characteristic	Symbol	Value (1)	Unit
Thermal Resistance, Junction to Case	R _{θJC}	0.79	°C/W

ESD PROTECTION CHARACTERISTICS

Test Conditions	Class
Human Body Model	1 (Minimum)
Machine Model	M3 (Minimum)

(1) Refer to AN1955/D, *Thermal Measurement Methodology of RF Power Amplifiers*. Go to <http://www.motorola.com/semiconductors/rf>. Select Documentation/Application Notes - AN1955.

NOTE - CAUTION - MOS devices are susceptible to damage from electrostatic charge. Reasonable precautions in handling and packaging MOS devices should be observed.

Freescale Semiconductor, Inc.

ELECTRICAL CHARACTERISTICS (T_C = 25°C unless otherwise noted)

Characteristic	Symbol	Min	Typ	Max	Unit
----------------	--------	-----	-----	-----	------

OFF CHARACTERISTICS

Drain-Source Breakdown Voltage (V _{GS} = 0 Vdc, I _D = 100 μAdc)	V _{(BR)DSS}	65	—	—	Vdc
Zero Gate Voltage Drain Current (V _{DS} = 26 Vdc, V _{GS} = 0 Vdc)	I _{DSS}	—	—	10	μAdc
Gate-Source Leakage Current (V _{GS} = 5 Vdc, V _{DS} = 0 Vdc)	I _{GSS}	—	—	1	μAdc

ON CHARACTERISTICS

Gate Threshold Voltage (V _{DS} = 10 Vdc, I _D = 200 μAdc)	V _{GS(th)}	2	—	4	Vdc
Gate Quiescent Voltage (V _{DS} = 26 Vdc, I _D = 600 mAdc)	V _{GS(Q)}	2.5	3.9	4.5	Vdc
Drain-Source On-Voltage (V _{GS} = 10 Vdc, I _D = 2 Adc)	V _{DS(on)}	—	0.18	0.21	Vdc
Forward Transconductance (V _{DS} = 10 Vdc, I _D = 2 Adc)	g _{fs}	—	6.0	—	S

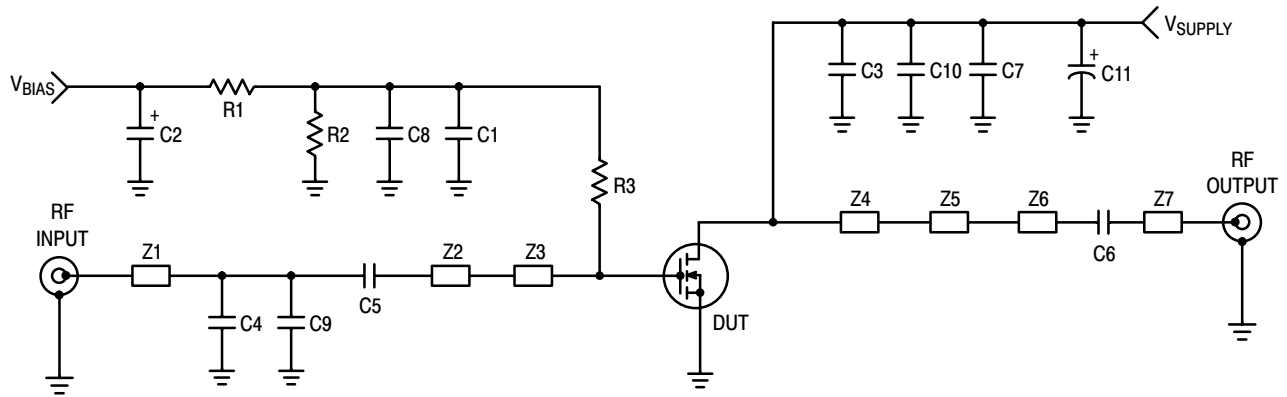
DYNAMIC CHARACTERISTICS

Reverse Transfer Capacitance (1) (V _{DS} = 26 Vdc, V _{GS} = 0, f = 1 MHz)	C _{rss}	—	3.6	—	pF
--	------------------	---	-----	---	----

FUNCTIONAL TESTS (In Motorola Test Fixture, 50 ohm system)

Common-Source Amplifier Power Gain @ 85 W (V _{DD} = 26 Vdc, I _{DQ} = 800 mA, f = 1930 - 1990 MHz)	G _{ps}	11.5	12.5	—	dB
Drain Efficiency @ 85 W (V _{DD} = 26 Vdc, I _{DQ} = 800 mA, f = 1930 - 1990 MHz)	η	46	50	—	%
Input Return Loss @ 85 W (V _{DD} = 26 Vdc, I _{DQ} = 800 mA, f = 1930 - 1990 MHz)	IRL	—	-12	-9	dB
P1 dB Output Power (V _{DD} = 26 Vdc, I _{DQ} = 800 mA, f = 1930 - 1990 MHz)	P1dB	80	90	—	Watts
Output Mismatch Stress @ P1dB (V _{DD} = 26 Vdc, I _{DQ} = 600 mA, f = 1930 MHz, VSWR = 5:1, All Phase Angles at Frequency of Tests)	Ψ	No Degradation In Output Power Before and After Test			

(1) Part is internally matched both on input and output.



C1, C10	1.0 nF Chip Capacitors, B Case, ATC	Z1	1.654" x 0.082" Microstrip
C2	10 μ F, 35 V Tantalum Capacitor	Z2	0.207" x 0.082" Microstrip
C3, C6	10 pF Chip Capacitors, B Case, ATC	Z3	0.362" x 1.260" Microstrip
C4	3.3 pF Chip Capacitor, B Case, ATC	Z4	0.583" x 0.669" Microstrip
C5	4.7 pF Chip Capacitor, B Case, ATC	Z5	0.449" x 0.179" Microstrip
C7, C8	100 nF Chip Capacitors, ACCU-P (1206)	Z6	0.877" x 0.082" Microstrip
C9	3.9 pF Chip Capacitor, B Case, ATC	Z7	0.326" x 0.082" Microstrip
C11	470 μ F, 63 V Electrolytic Capacitor	PCB	0.030" Glass Teflon [®] ($\epsilon_r = 2.55$)
R1, R2	1.0 k Ω Chip Resistors (0805)		
R3	2 x 18 k Ω Chip Resistor (1206)		

Figure 1. 1.93 - 1.99 GHz Test Fixture Schematic

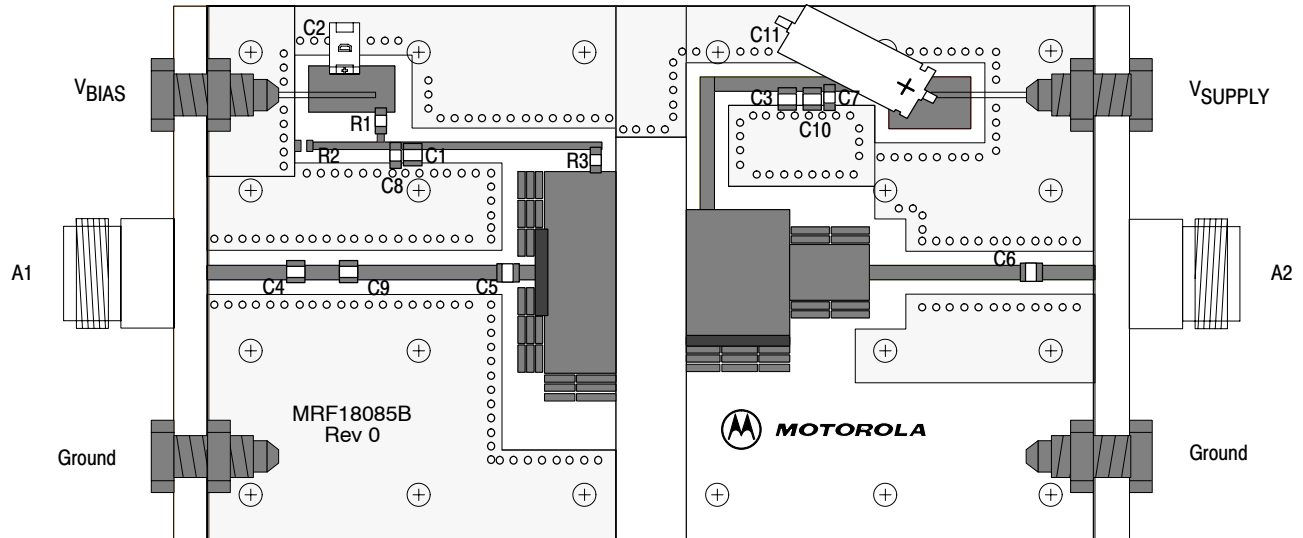
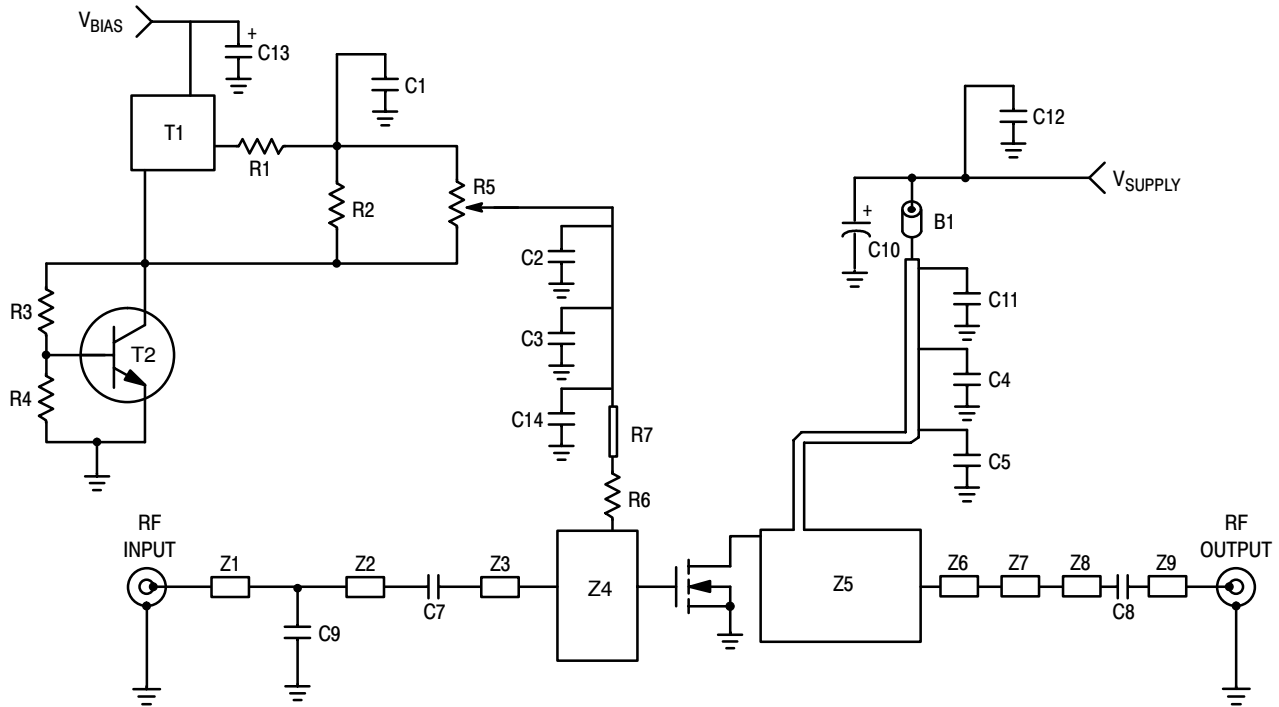


Figure 2. 1.93 - 1.99 GHz Test Fixture Component Layout



B1	Short RF Ferrite Bead, #27 430119447	R1	10 Ω Chip Resistor (0805)
C1, C2	1 μ F Chip Capacitors, ACCU-P (0805)	R2	1 k Ω Chip Resistor (0805)
C3, C4	1 nF Chip Capacitors, ACCU-P (0805)	R3	1.2 k Ω Chip Resistor (0805)
C5	10 pF Chip Capacitor, ACCU-P (0805)	R4	2.2 k Ω Chip Resistor (0805)
C7	1.5 pF Chip Capacitor, ACCU-P (0805)	R5	5 k Ω Chip Resistor (0805)
C8	8.2 pF Chip Capacitor, ACCU-P (0805)	R6, R7	9 Ω Chip Resistors (1206) (18 Ω x 18 Ω)
C9	1.0 pF Chip Capacitor, ACCU-P (0805)	T1	Voltage Regulator, Micro-8, Motorola #LP2951
C10	100 μ F, 63 V Electrolytic Capacitor	T2	NPN Bipolar Transistor, SOT-23, Motorola #BC847
C11, C12	10 nF Chip Capacitors (0805)	Z1 - Z9	Printed Transmission Lines
C13	10 μ F, 35 V Tantalum Capacitor	Substrate	0.5 mm Rogers 4350 ($\epsilon_r = 3.53$)
C14	8.2 pF Chip Capacitor, ACCU-P (0805)		

Figure 3. 1.93 - 1.99 GHz GSM EDGE Optimized Demo Board Schematic

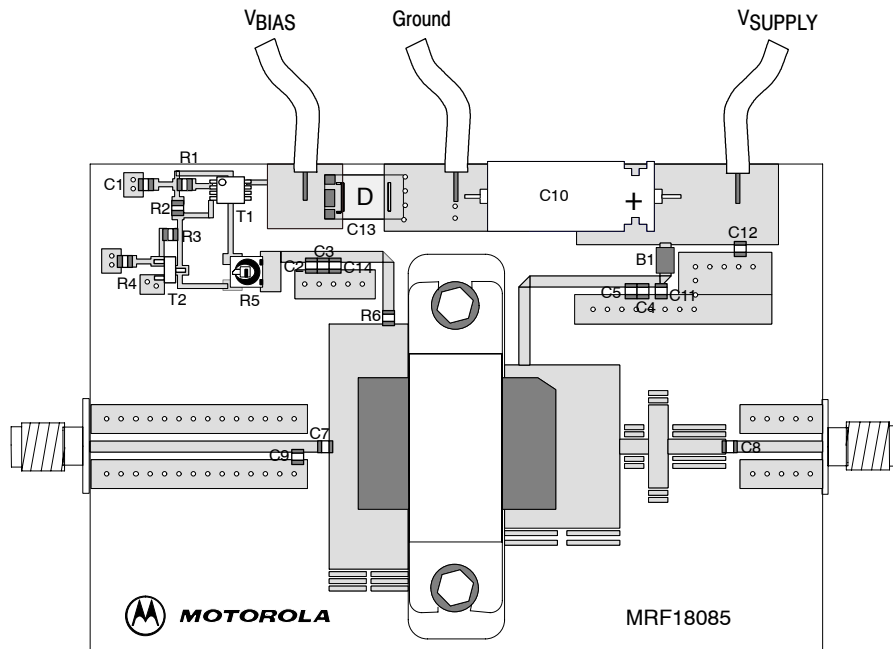


Figure 4. 1.93 - 1.99 GHz GSM EDGE Optimized Demo Board Component Layout

TYPICAL CHARACTERISTICS (Performed on a GSM EDGE Optimized Demo Board)

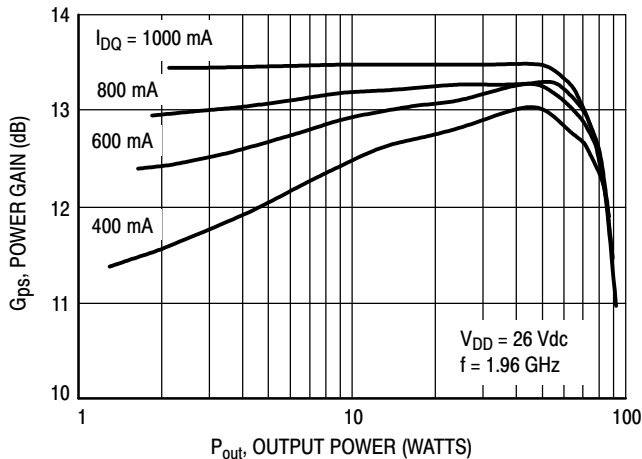


Figure 5. Power Gain versus Output Power

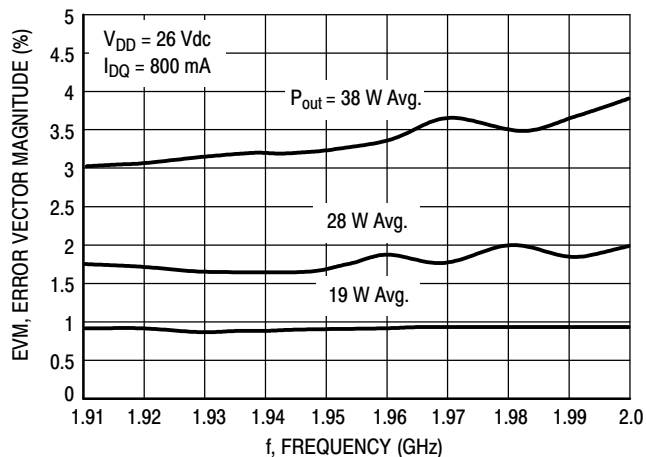


Figure 6. Error Vector Magnitude versus Frequency

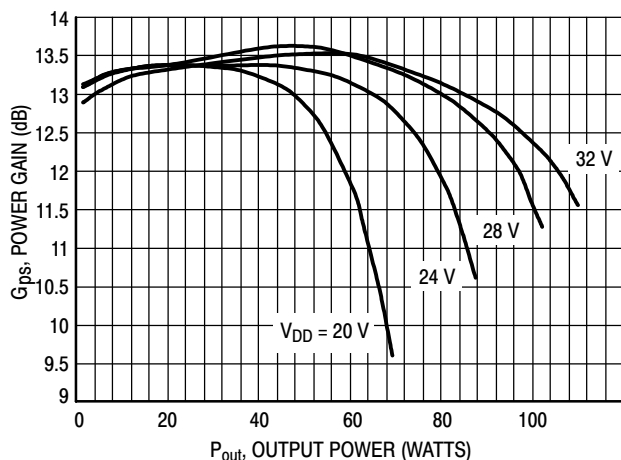


Figure 7. Power Gain versus Output Power

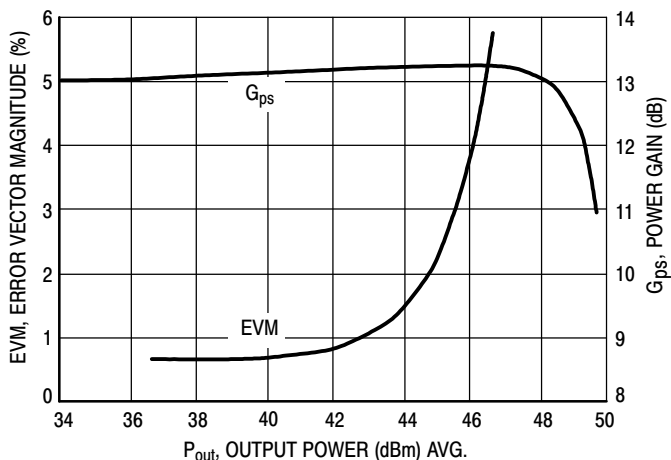


Figure 8. EVM and Gain versus Output Power

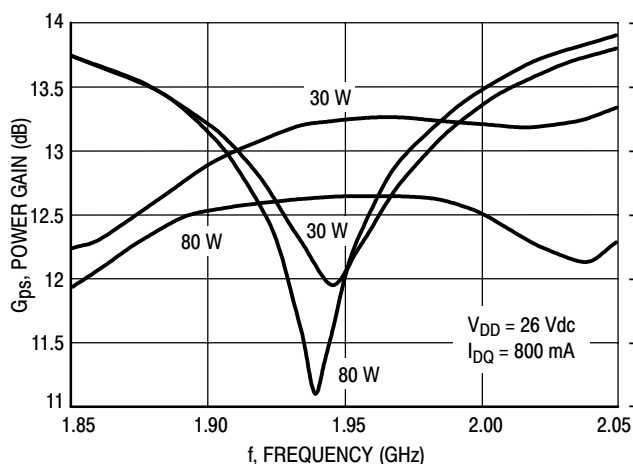


Figure 9. Power Gain and IRL versus Frequency

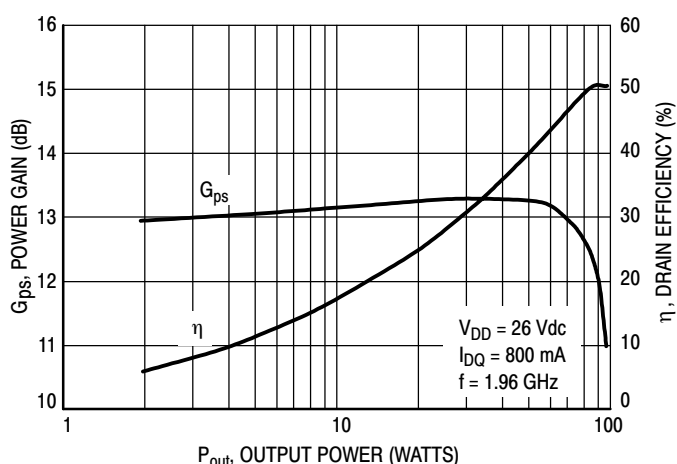


Figure 10. Power Gain and Efficiency versus Output Power

Freescale Semiconductor, Inc.

TYPICAL CHARACTERISTICS
(Performed on a GSM EDGE Optimized Demo Board)

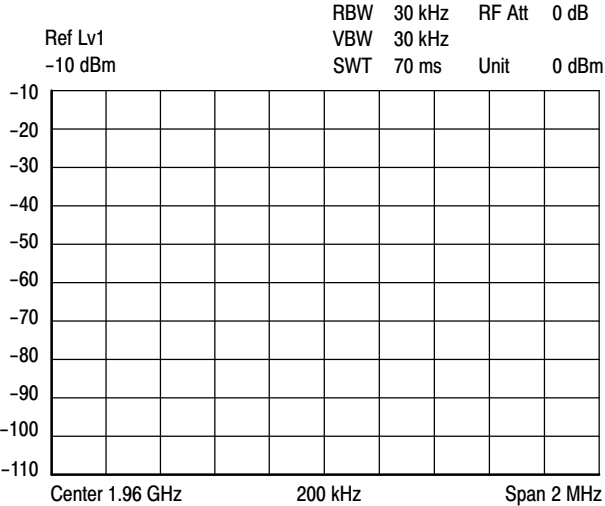
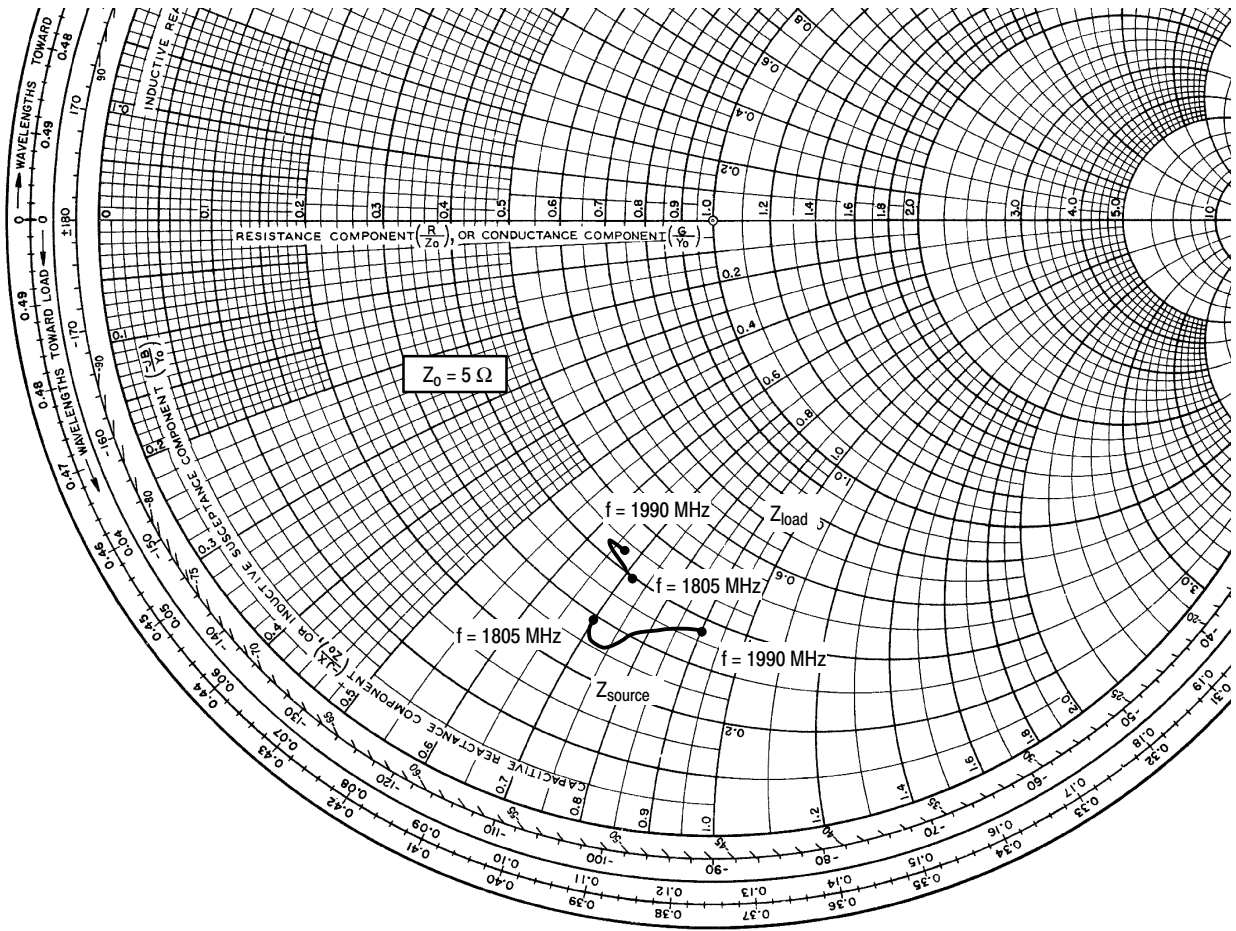


Figure 11. EDGE Spectrum at 40 Watts (Avg.) Output Power



$V_{DD} = 26\text{ V}$, $I_{DQ} = 800\text{ mA}$, $P_{out} = 85\text{ W CW}$

f MHz	Z_{source} Ω	Z_{load} Ω
1805	$1.43 - j3.74$	$2 - j3.60$
1880	$1.27 - j3.95$	$1.98 - j3.57$
1930	$1.5 - j4.13$	$2.13 - j3.16$
1990	$1.86 - j4.76$	$2.17 - j3.36$

Z_{source} = Test circuit impedance as measured from gate to ground.

Z_{load} = Test circuit impedance as measured from drain to ground.

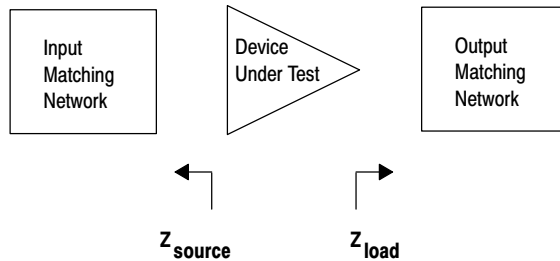


Figure 12. Series Equivalent Input and Output Impedance

NOTES

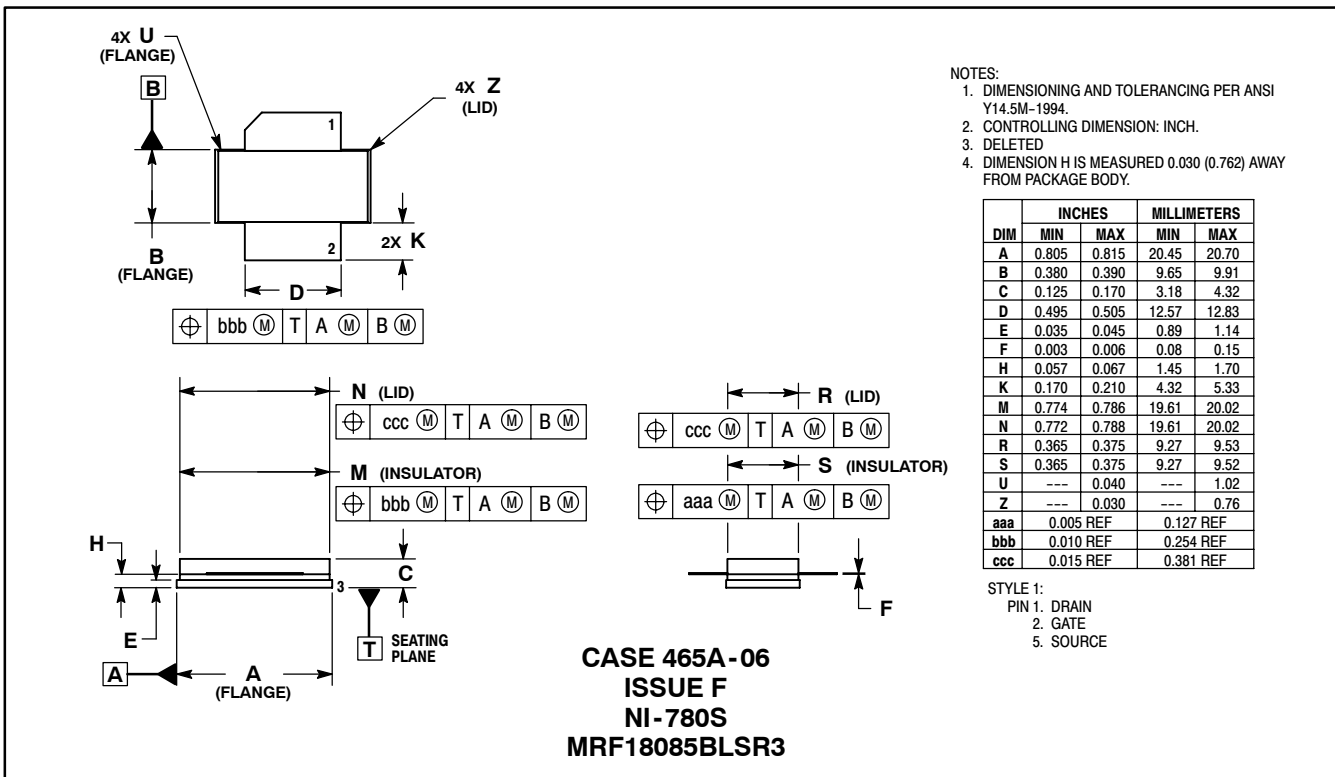
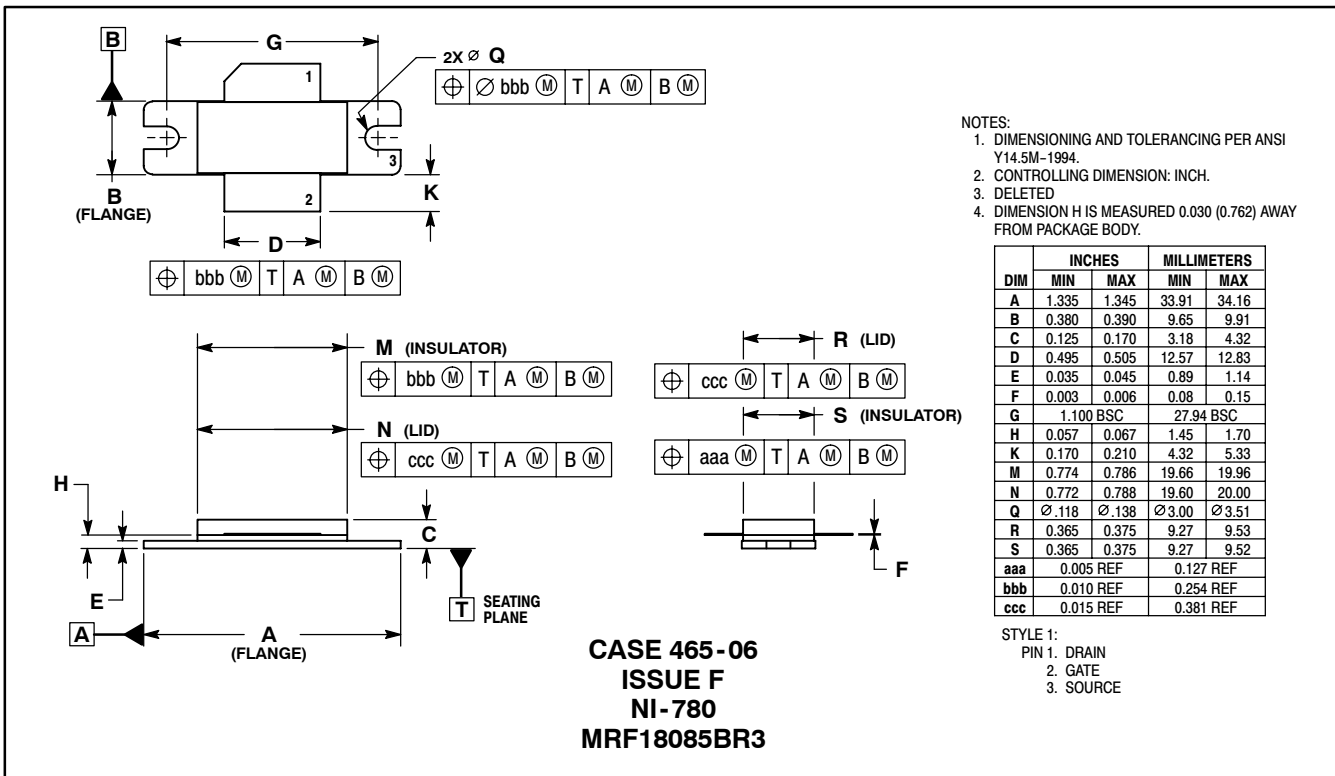
NOTES

NOTES

Freescale Semiconductor, Inc.

PACKAGE DIMENSIONS

Freescale Semiconductor, Inc.



Information in this document is provided solely to enable system and software implementers to use Motorola products. There are no express or implied copyright licenses granted hereunder to design or fabricate any integrated circuits or integrated circuits based on the information in this document.

Motorola reserves the right to make changes without further notice to any products herein. Motorola makes no warranty, representation or guarantee regarding the suitability of its products for any particular purpose, nor does Motorola assume any liability arising out of the application or use of any product or circuit, and specifically disclaims any and all liability, including without limitation consequential or incidental damages. "Typical" parameters that may be provided in Motorola data sheets and/or specifications can and do vary in different applications and actual performance may vary over time. All operating parameters, including "Typicals", must be validated for each customer application by customer's technical experts. Motorola does not convey any license under its patent rights nor the rights of others. Motorola products are not designed, intended, or authorized for use as components in systems intended for surgical implant into the body, or other applications intended to support or sustain life, or for any other application in which the failure of the Motorola product could create a situation where personal injury or death may occur. Should Buyer purchase or use Motorola products for any such unintended or unauthorized application, Buyer shall indemnify and hold Motorola and its officers, employees, subsidiaries, affiliates, and distributors harmless against all claims, costs, damages, and expenses, and reasonable attorney fees arising out of, directly or indirectly, any claim of personal injury or death associated with such unintended or unauthorized use, even if such claim alleges that Motorola was negligent regarding the design or manufacture of the part.

MOTOROLA and the Stylized M Logo are registered in the US Patent and Trademark Office. All other product or service names are the property of their respective owners. Motorola, Inc. is an Equal Opportunity/Affirmative Action Employer.

© Motorola Inc. 2004

HOW TO REACH US:

USA/EUROPE/LOCATIONS NOT LISTED:
Motorola Literature Distribution
P.O. Box 5405, Denver, Colorado 80217
1-800-521-6274 or 480-768-2130

JAPAN: Motorola Japan Ltd.; SPS, Technical Information Center,
3-20-1, Minami-Azabu, Minato-ku, Tokyo 106-8573, Japan
81-3-3440-3569

ASIA/PACIFIC: Motorola Semiconductors H.K. Ltd.; Silicon Harbour Centre,
2 Dai King Street, Tai Po Industrial Estate, Tai Po, N.T., Hong Kong
852-26668334

HOME PAGE: <http://motorola.com/semiconductors>



◇ **For More Information On This Product,
Go to: www.freescale.com**

MRF18085B/D